

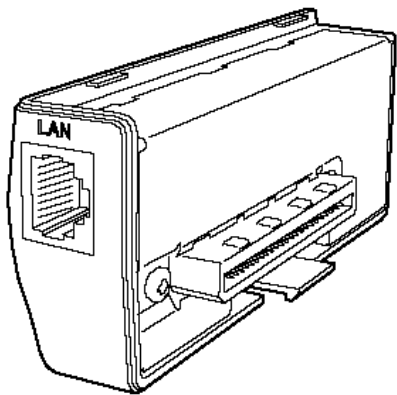


Broadband Adapter

Instruction Manual

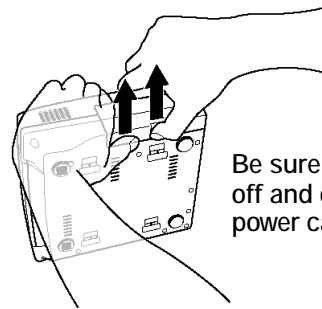
Thank you very much for purchasing the Broadband Adapter. Before using the Broadband Adapter, please read this Instruction Manual as well as the Instruction Manual and Important Safety Instructions provided with the Dreamcast. After reading this manual, be certain to keep it handy for future reference.

10BASE-T and 100BASE-TX compatible

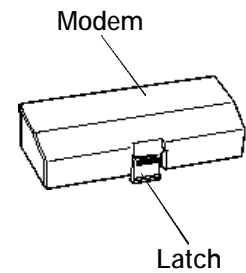


Please carefully review the instructions and diagrams below before attempting to install the Broadband Adapter. If at some point in time you wish to play a network game or application that only supports the use of the modem just reverse the procedure described below to reinstall it.

1 Remove the modem



Be sure to turn the power off and disconnect the power cable first!



First, it is necessary to remove the modem that is installed in the Dreamcast. Begin by turning off the power, disconnecting the power cable and phone cable (if connected) and then turn the Dreamcast on its side as shown in the illustration above so that the modem is on top.

While holding the Dreamcast securely with one hand, press up on the modem latch with your other hand and then press up with your thumbs on the edge of the modem.

CAUTION

Failure to comply with these cautions may result in personal injury or property damage from electric shock or other accidents.

- Never attempt to disassemble or modify the Broadband Adapter.
- Do not leave the Broadband Adapter lying on the floor where someone could step on and damage the Broadband Adapter, or trip over it and injure themselves.
- Never allow anyone, especially small children, to play with the Ethernet cable that connects to the Broadband Adapter. Also never allow the Ethernet cable to become wrapped around someone's neck as it could result in suffocation. The Ethernet cable should only be handled by a responsible adult.

Usage Precautions

Follow the precautions shown below when using the Broadband Adapter. Failure to follow these precautions could damage the Broadband Adapter or cause it to malfunction.

[Usage Environment]

- Do not use or place the Broadband Adapter in an area that is very hot or cold, smoky, dusty, humid or in an area where water is common, such as near a sink or tub.
- If you carry the Broadband Adapter into a heated room from outdoors on a cold day, the sudden temperature change may cause condensation to form inside of the Broadband Adapter. In these circumstances, the Broadband Adapter should be left to rest indoors for one hour before using it.
- The Broadband Adapter should be used in the following environmental conditions:
Temperature: 41°F to 95°F; humidity: 10% to 80% RH (with no condensation)

[Handling the Broadband Adapter]

- The Broadband Adapter contains precision electronic components. Do not drop or strike the Broadband Adapter.
- Never attempt to disassemble or modify the Broadband Adapter.
- If the Broadband Adapter becomes dirty, wipe the dirt away with a dry cloth. Never use chemicals, cleansers, water, etc.
- When connecting the Broadband Adapter, do not apply excessive force to it. Doing so could damage the Broadband Adapter.
- Keep the connectors free of dust and other foreign objects. Dust on the connectors could result in incorrect operation due to a poor connection.

[Miscellaneous]

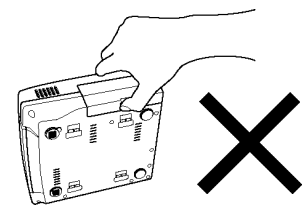
- After opening the transparent pack that the Broadband Adapter is packaged in, dispose of the pack.

FCC Warning

This device complies with Part 15 of FCC Rules. Operation is subject to the following two conditions: (1) this device may not cause harmful interference (2) this device must accept any interference that may be received, including interference that may cause undesired operation.

Usage Precautions

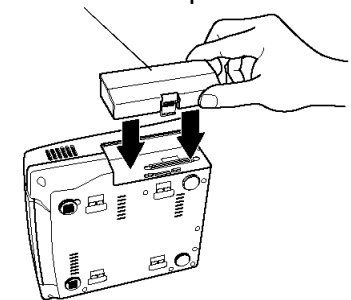
- Always be certain to turn off the Dreamcast and disconnect the power cable and phone cable (if connected) before removing the modem and installing the Broadband Adapter.
- If you leave a disc in the Dreamcast while removing the modem, you could damage the disc. Check to ensure that there is no disc still in the Dreamcast before removing the modem.
- You could damage the modem if you attempt to remove it with only one hand. Always use two hands when removing the modem.
- Although the modem is attached somewhat firmly to the Dreamcast, never use a screwdriver or other implement to forcibly pry the modem off.
- After removing the modem, store it in a safe place for future use.
- The modem should only be removed by an adult.



2 Install the Broadband Adapter

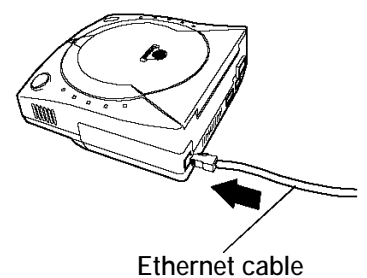
Once the modem has been removed, refer to the diagram and insert the Broadband Adapter. Press firmly on the Broadband Adapter until it snaps into place and its edges are flush with the Dreamcast.

Broadband Adapter



3 Plug in the Ethernet cable

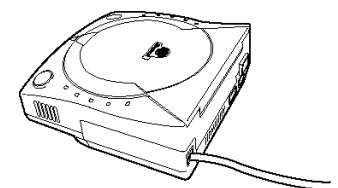
- After the Broadband Adapter is installed, an Ethernet cable (purchased separately) must be connected. Refer to About the Ethernet Cable for details about the type of cable to use.
- Ensure the orientation of the connector is correct and then insert the Ethernet cable connector into Broadband Adapter until it clicks into place.

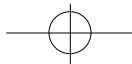


Ethernet cable

4 Installation complete

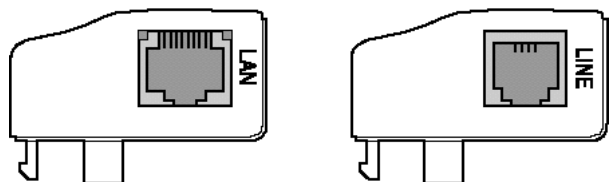
Installation of the Broadband Adapter is complete. Connect a Dreamcast controller, and other peripheral devices as desired, and the power cable. To use the Broadband Adapter, place a Broadband Adapter supporting game or application into the Dreamcast and turn the power on. Please refer to the game or application users manual for specific details about network connection and operation.





About the Broadband Adapter

Although the Broadband Adapter and the modem are identical in shape when viewed from the side, the cable connectors are different. In addition, the cable connector on the modem is labeled "LINE", while the cable connector on the Broadband Adapter is labeled "LAN".

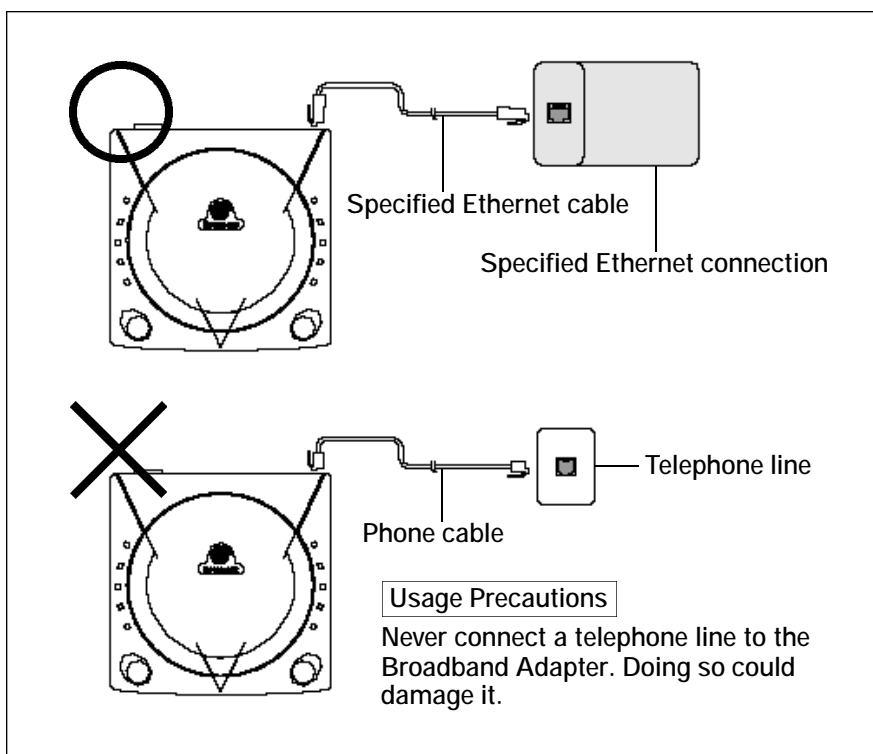


Broadband Adapter

Modem

About the Ethernet Cable

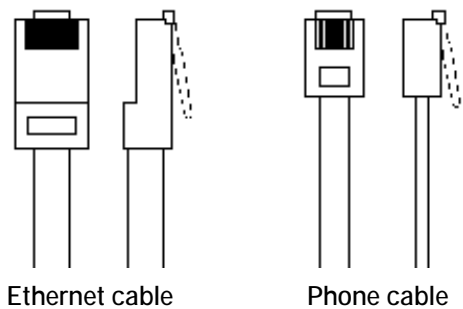
The Ethernet cable that should be used for connection with the Broadband Adapter will be very similar in appearance to the phone cable that is provided with the Dreamcast. Be very careful not to connect the wrong cable.



Pay attention to the following points when connecting the Ethernet cable:

- Use the Ethernet cable specified by your service provider. If your service provider does not specify a particular cable type Sega recommends that a category 5 UTP (Unshielded Twisted Pair) or STP (Shielded Twisted Pair), 2-pair (4-wire) cable be used.
- Ensure that the Ethernet cable is connected to the Ethernet equipment as specified by your service provider.

Detailed View of the Cable Connectors



Ethernet cable

Phone cable

Using an Ethernet cable other than that specified by your service provider, or indicated above, or connecting the cable to something other than Ethernet equipment, could damage the Dreamcast, the Broadband Adapter, or the equipment the Ethernet cable has been incorrectly connected to, or cause the Dreamcast, Broadband Adapter or incorrectly connected equipment to malfunction.

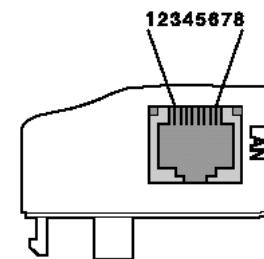
Troubleshooting

Before contacting Sega or requesting service, please check the following:

1. Are you using the phone cable instead of an Ethernet cable?
2. Is the Ethernet cable firmly connected to both the Dreamcast and your Ethernet equipment?
3. Is the Broadband Adapter correctly and securely connected to the Dreamcast?
4. Are you using software that does not support the Broadband Adapter? The Broadband Adapter can only be used with software that supports its use.
5. Is the Ethernet cable the correct configuration for both the Broadband Adapter and the Ethernet equipment you are using? Check with your service provider or the Ethernet equipment manufacturer to ensure that the Ethernet cable configuration is correct. The configuration for the Broadband Adapter's connector is noted below.

Broadband Adapter's RJ-45 connector configuration

Pin	Signal
1	Transmit data (TD+)
2	Transmit data (TD-)
3	Receive data (RD+)
4	Not used
5	Not used
6	Receive data (RD-)
7	Not used
8	Not used



Broadband Adapter

LIMITATION OF LIABILITY. THE WARRANTIES SET FORTH IN THIS AGREEMENT REPLACE ALL OTHER WARRANTIES. SEGA OF AMERICA DREAMCAST EXPRESSLY DISCLAIMS ALL OTHER WARRANTIES, INCLUDING, BUT NOT LIMITED TO, THE IMPLIED WARRANTIES OF MERCHANTABILITY AND FITNESS FOR A PARTICULAR PURPOSE AND NON-INFRINGEMENT OF THIRD-PARTY RIGHTS WITH RESPECT TO THE DOCUMENTATION, SOFTWARE AND HARDWARE. NO SEGA OF AMERICA DREAMCAST DEALER, AGENT OR EMPLOYEE IS AUTHORIZED TO MAKE ANY MODIFICATION, EXTENSION, OR ADDITION TO THIS WARRANTY. IN NO EVENT WILL SEGA OF AMERICA DREAMCAST OR ITS SUPPLIERS BE LIABLE FOR ANY COSTS OF PROCUREMENT OF SUBSTITUTE PRODUCTS OR SERVICES, LOST PROFITS, LOSS OF INFORMATION OR DATA, OR ANY OTHER SPECIAL, INDIRECT, CONSEQUENTIAL OR INCIDENTAL DAMAGES ARISING IN ANY WAY OUT OF THE SALE OF, USE OF, OR INABILITY TO USE ANY SEGA OF AMERICA DREAMCAST PRODUCT OR SERVICE, EVEN IF SEGA OF AMERICA DREAMCAST HAS BEEN ADVISED OF THE POSSIBILITY OF SUCH DAMAGES. IN NO CASE SHALL SEGA OF AMERICA DREAMCAST'S LIABILITY EXCEED THE ACTUAL MONEY PAID FOR THE PRODUCTS AT ISSUE. Because some jurisdictions do not allow the limitation of implied warrants or liability for incidental, consequential, special, or indirect damages, the above limitation may not always apply. The above limitations will not apply in case of personal injury where and to the extent that applicable law requires such liability.

Sega of America Dreamcast, Inc.

P.O. Box 7639 San Francisco, CA, 94120-7639
1-800-USA-SEGA & www.sega.com

- Please note that specifications and product exterior may change without notice.
- Unauthorized reproduction of the contents of this document is prohibited.
- SEGA, Dreamcast and the Dreamcast logo are either registered trademarks or trademarks of Sega Corporation.
- SEGA is registered in the U.S. Patent and Trademark Office.

Export, use for profit, rental or leasing of this product is prohibited. Further, Sega offers no warranty service or support outside of the US and Canada.

